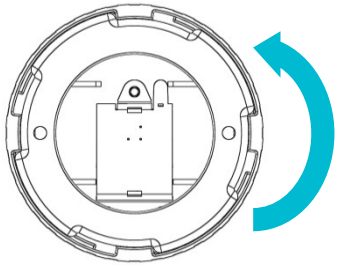


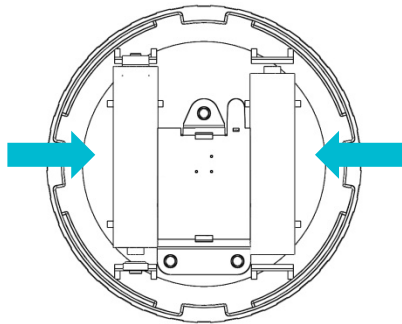
## CEILING MOTION SENSOR INSTALLATION GUIDE



### STEP 1: INSTALL BATTERIES

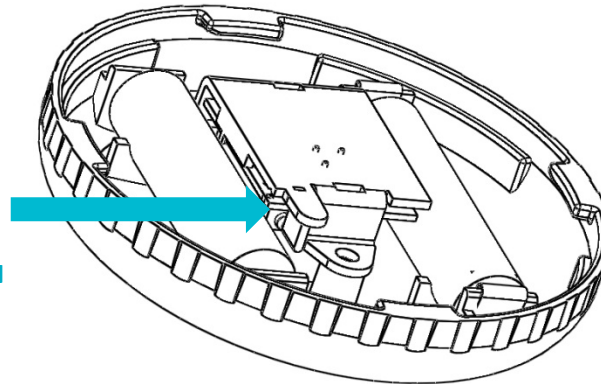


Remove the Mounting Plate by rotating the Housing counter-clockwise as shown.



Install the two AAA batteries in the Sensor Housing with polarity as shown.

### STEP 2: INSTALL DRIVER AND IDENTIFY



**BUTTON**

**Users:**

Refer to the instructions on your web portal or smart phone application to join and configure the Ceiling Motion Sensor.

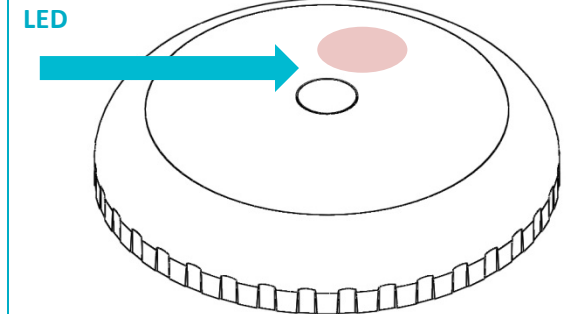
**Developers:**

Refer to NYCE'S "ZigBee Device Messaging Specification" document for details on how to join the Ceiling Motion Sensor to the ZigBee network.

This document can be found on NYCE's Website Support page:

[www.nycesensors.com/support/](http://www.nycesensors.com/support/)

### STEP 3: VERIFY DEVICE AND CLOSE



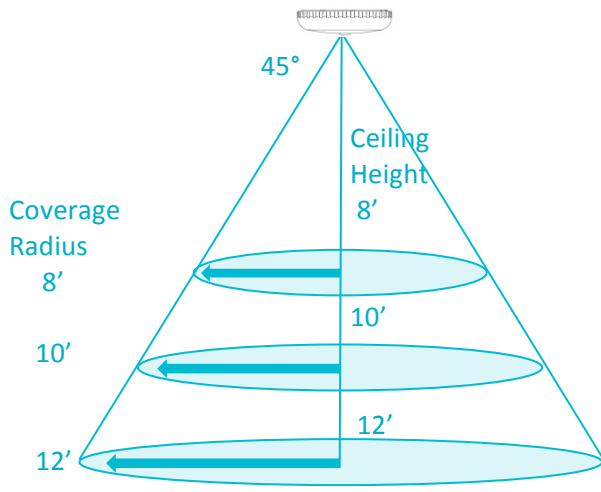
**LED**

Verify that the device is sensing motion.

The sensor requires a 3 minute "warm-up" time before it will report motion.

The LED should flash red and motion should be indicated on your web portal or smart phone application.

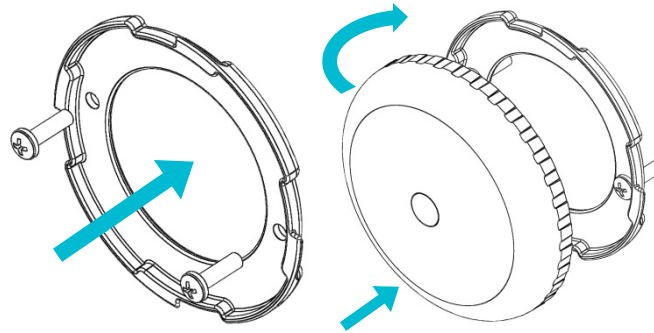
## STEP 4: PLACEMENT GUIDELINES



Position the Ceiling Motion Sensor for best use of its detection zones.

\* All Measurements are approximate.

## STEP 5: INSTALL THE MOTION SENSOR



Install the Mounting Plate on an overhead surface using the two #6 screws provided. Place the Sensor Housing over the Mounting Plate, there is no “keyed” location. Rotate the Housing clockwise to lock it into place.

**Notes:** Test the Sensor from the desired location before permanent installation. Installation on metal can reduce transmission range. Ensure that the device is installed in a dry location away from water, moisture, and rain.



## READING AND WRITING ATTRIBUTES

**Users:**

Refer to the instructions on your web portal or smart phone application to configure the attributes of the Ceiling Motion Sensor.

**Developers:**

Refer to NYCE’S “ZigBee Device Messaging Specification” document for details on how to configure and read the attributes of the Ceiling Motion Sensor through the ZigBee network.

This document can be found on NYCE’s Website Support page: [www.nycesensors.com/support/](http://www.nycesensors.com/support/)

## PRODUCT FUNCTION AND LED INDICATORS

BUTTON	LED	ACTION	LED	DESCRIPTION
2 TIMES	●●	NETWORK STATUS	●●●● ●●●● ●●●●	JOINED NOT JOINED RE-JOIN IN PROCESS
4 TIMES	●●●●	NETWORK JOIN	●●●● ●●●● ●●●● ●●●● ●●●●	SEARCHING FOR NETWORK DEVICE BEING CONFIGURED DEVICE JOINED DEVICE FAILED TO JOIN
8 TIMES	●●●●●●●●	FORCED RE-JOIN	●●●●	RE-JOIN, SEARCHING FOR PARENT
10 TIMES	●●●●●●●●●●	NETWORK LEAVE AND DEFAULT	●●●● ●●●●●●	LEAVE (IF JOINED) AND DEFAULTS RESTORED
		NO ACTION	● ●●●●	WRONG BUTTON PRESS DEVICE BUSY
		MOTION DETECTED POWER UP	● ●●●●●●	

